

AFC-LH-EU-200

Technical Data Sheet

HW 2.0 v1.20

(indices: DD, ED, EE)



Flexible fast-charging system (Flexpole)

1 Technical data

Technical Specifications

Certification ¹	CE
Protection	IP 54 system IP 67 battery
Mechanical protection	IK 10, HMI Display IK 08
Dimensions (H × W × D)	2260 mm x 1340 mm x 1100 mm
Weight	2650 kg
Operating temperature	-25°C to 50°C
Operating temperature without DC output power derating	-25°C to 35°C
Humidity	5% to 90%
Network connections ¹	GSM/3G/LTE
Noise emission (at a 5 m distance)	≤ 60 dB

Output – DC Charging Station 1

DC output power ²	Max. 150 kW (DPD ³)
DC output current ⁴	Max. 350 A at 430V Max. 188 A at 800V
DC output voltage	200 – 920 V DC
DC output interface	CCS type 2 combo
DC metering conforms to MessEG	Yes (German version)
DC metering conforms to MID	Yes (EU – non-German versions)
Vehicle PLC communication	ISO 15118 ⁵ , DIN 70121
EMC emission ¹	IEC 61000-6-2, EN 55011

Output – DC Charging Station 2

DC output power ²	Max. 150 kW (DPD ³)
DC output current ⁴	Max. 350 A at 430V Max. 188 A at 800V
DC output voltage	200 – 920 V DC
DC output interface	CCS type 2 combo
DC metering conforms to MessEG	Yes (German version)
DC metering conforms to MID	Yes (EU – non-German versions)
Vehicle PLC communication	ISO 15118 ⁵ , DIN 70121
EMC emission ¹	IEC 61000-6-2, EN 55011

Input

Grid connection	400 V, 50 Hz TN-C-S; 3 P + N + PE 16/32/63 A 2 low-voltage safety lines (impact)
Electrical protection	Overvoltage category IV (DIN 60664-1)
RCD protection	Yes
Remote-controlled emergency stop function (optional)	Yes (conforms to APEA – Electric Vehicle Charging Installations at Filling Stations)
Power factor	> 0,95
Efficiency	≤ 0°C: ≥ 75 % > 0°C to +30°C: ≥80 % > +30°C: ≥75 %

Battery

Internal battery rated capacity	193.5kWh
Maximum usable capacity ⁶	160 kWh
SoC _{min.} / SoC _{max.}	5%/95%
Max. recharge power ²	2 × 20 kW to battery 1 × 40 kW (DPD ³) to vehicle

User Interface

HMI	10" touch screen 43" advertising screen Status LEDs Charge Stop button
Authorization/payment	RFID Mifare® (IEC 14443 A/B) Only FeliCa® serial number Only HID iClass® serial number Conforms with PCI-PTS 5.x NFC/credit card (IEC 18092) Supported payment provider: PayOne

Operator Interface

OCPP	OCPP 1.6-J Improved security for OCPP 1.6-J, edition 2
------	---

¹ See CE declaration of conformity document

² When connected to the grid with 400 V/63 A max. system output power of 250 kW

³ Dynamic power distribution

⁴ With temperature-controlled high-power CCS cable (400 A)

⁵ PnC not available

⁶ See warranty agreement

2 Dimensions

Illustration: Front view

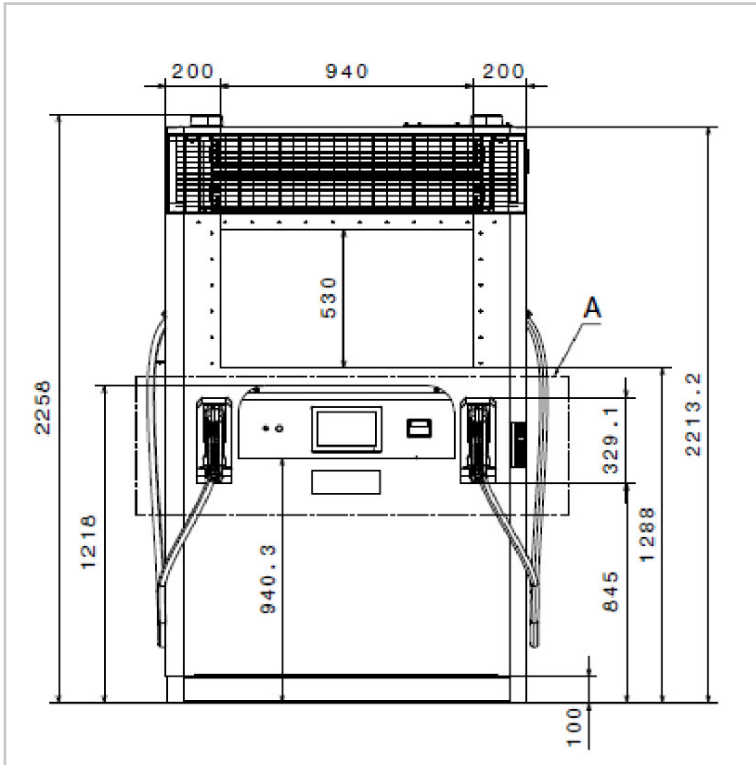


Illustration: Rear view

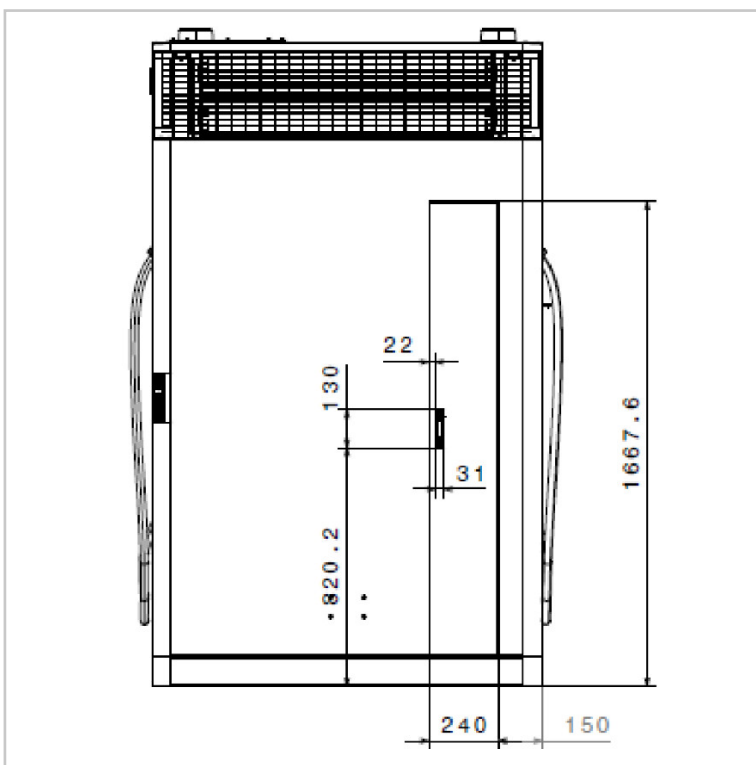


Illustration: Side view, left

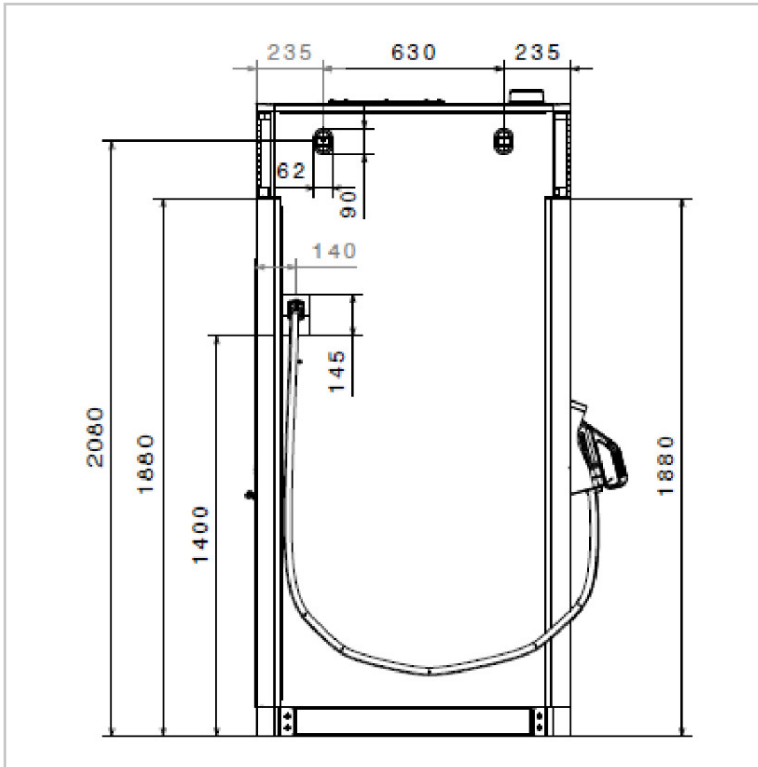


Illustration: Side view, right

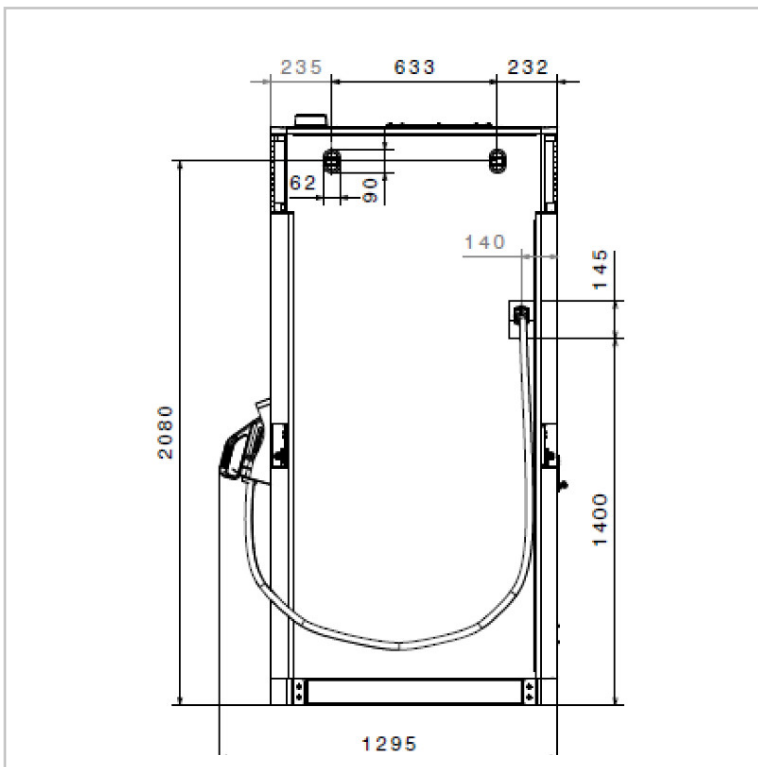


Illustration: Top view

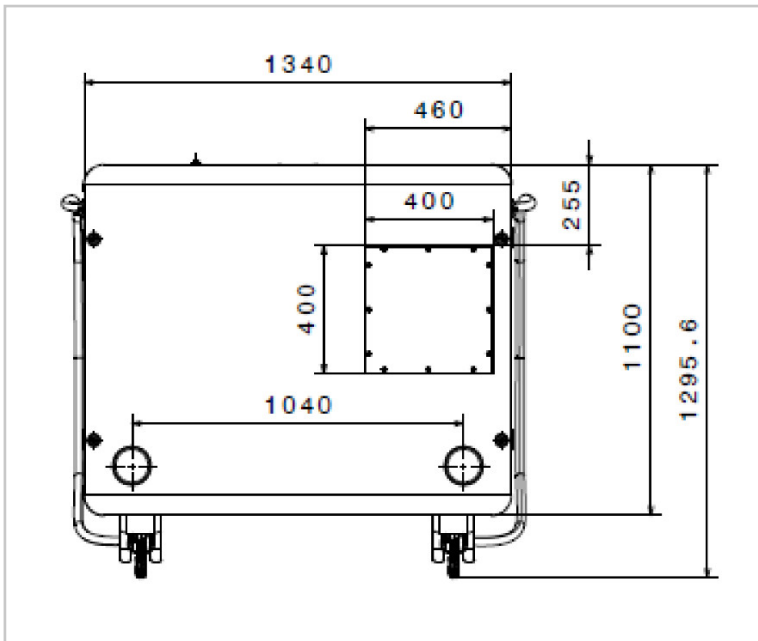


Illustration: Floor view

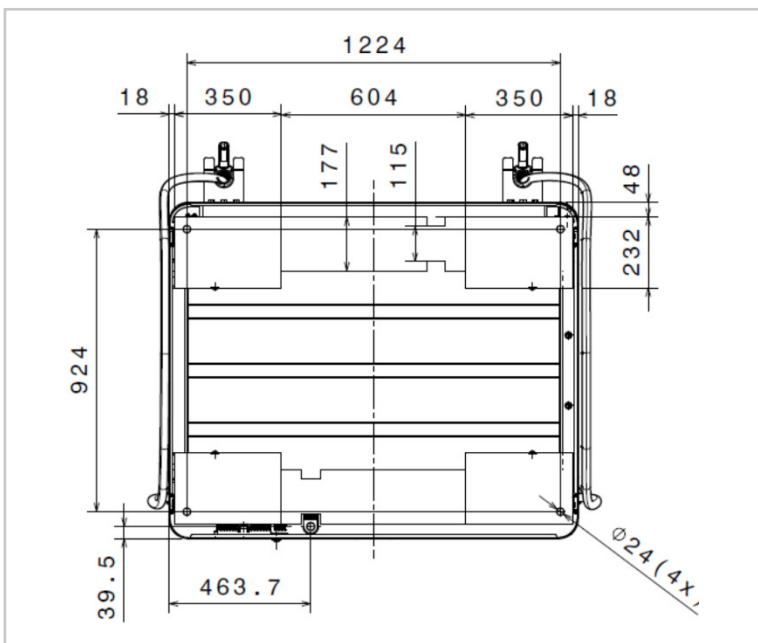


Illustration: Detailed front view

